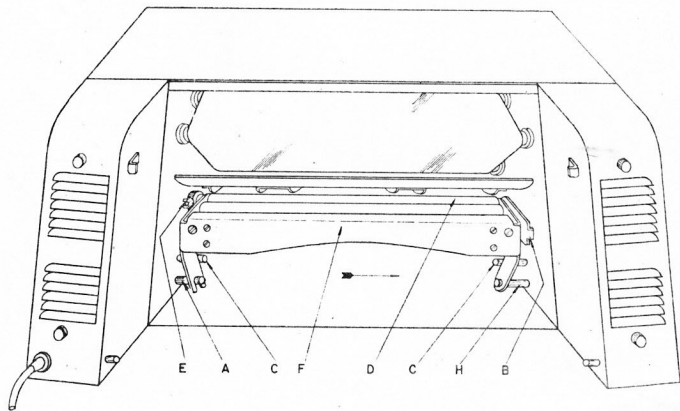


Instructions for Removing and Replacing Rubber Roll Assembly to Facilitate the Cleaning of Rubber Rollers



SPEED-O-PRINT BUSINESS MACHINES CORPORATION
CHICAGO 13, ILLINOIS

TO REMOVE

1. Slide rubber roll assembly to apply pressure against spring "B" in direction of arrow, disengaging driving tongue "E" from front roll shaft.
2. Rotate yoke "F" towards rear of machine and lift forked end of yoke "F" from pin "A."
3. Slide yoke to left to disengage arm from pin "H."

TO REPLACE

1. Rest forked end of yoke "F" on pin "A" in side frames.
2. Rotate yoke "F" to contact pins "C" simultaneously applying pressure in direction of arrow to compress flat spring "B."
3. Release side pressure permitting flat spring "B" to exert pressure opposite to direction of arrow.
4. Rotate front roller "D" until driving tongue "E" engages slot in end of roller.